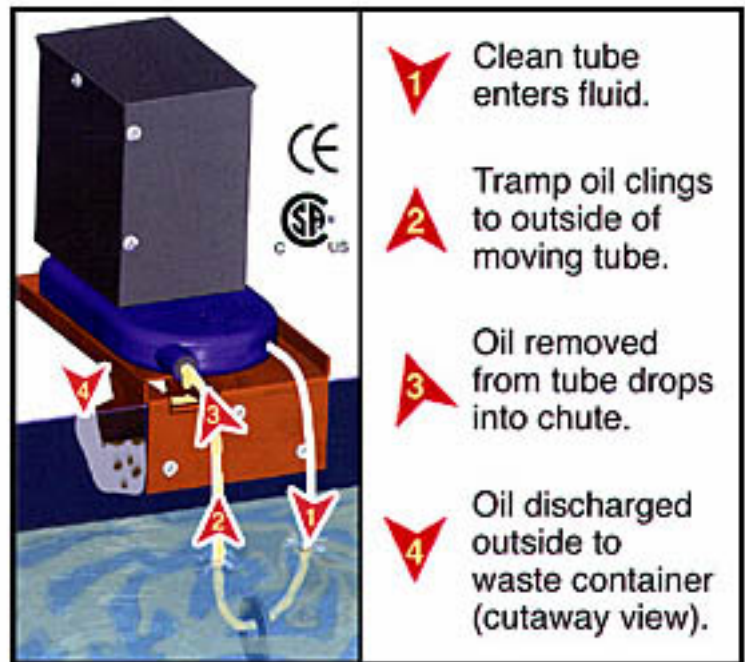


# WAYNE PRODUCTS, INC.

## Mini-Skimmer™ Side-Mount Design for Tight Spaces

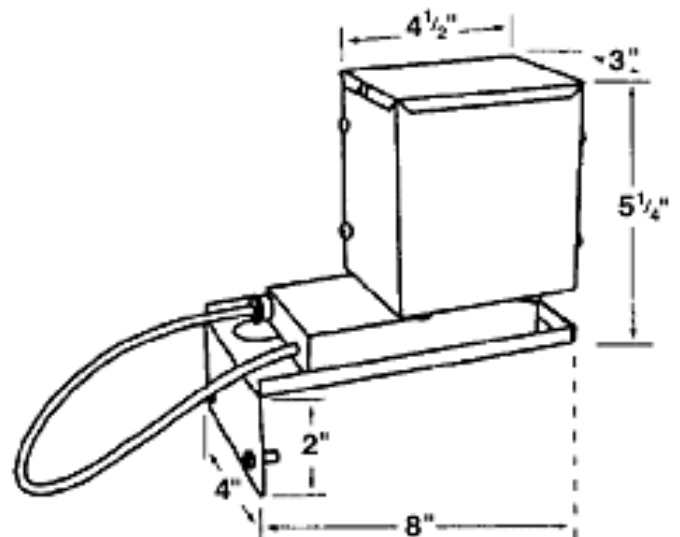
Model TT-7-8 (Assembly/Order #33035)

- Skim trap oil from the side of the coolant sump, chip conveyor and tanks with no head room!
- Mounts on the side or edge of sump.
- Collects approx. 1 quart per hour!
- Reaches about 8" into tank (other lengths available!)
- Ceramic scraper keeps chips from entering drive!
- Continuous-duty fan cooled motor!
- Rated up to 90° F. (32° C.)
- Large Discharge Port - Easily Cleaned!



## Technical Information

Standard Tube Length:	30" lineal
Tube Speed:	2" per second
Side Tank Cut-Out;	1/2" high x 3" wide
Electrical	20.43 amp draw, 115/1/60
Metal:	powder-coated steel
Warranty:	1 year formfg. defects
Shipping Weight:	7 pounds



**Wayne Products...Manufacturers of Oil Skimmers, Blowers and Filter/Ventilator Systems**

**Wayne Products, Inc.**  
20 N. Bacton Hill Road, Malvern, PA USA  
P.O. Box 788, Frazer, PA USA  
Ph. 800-255-5665 • Fax 800-252-0948  
International Fax 610-251-0218